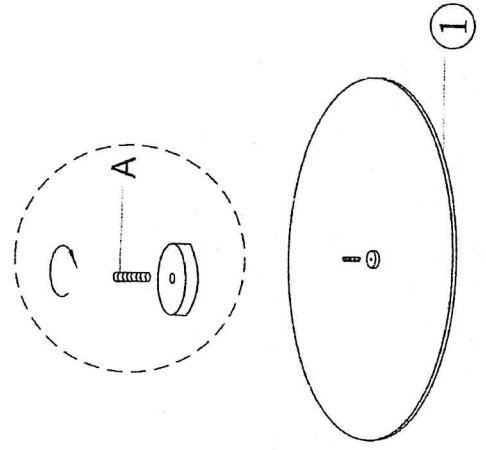
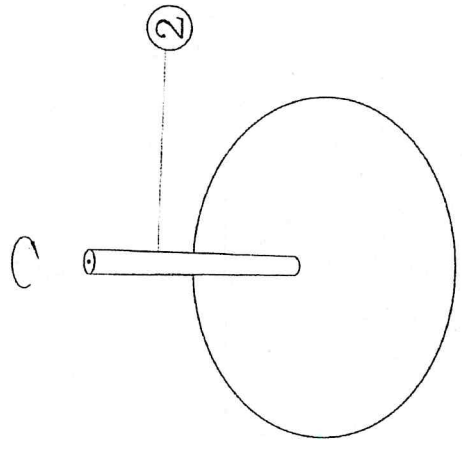


ASSEMBLY INSTRUCTIONS GD-9

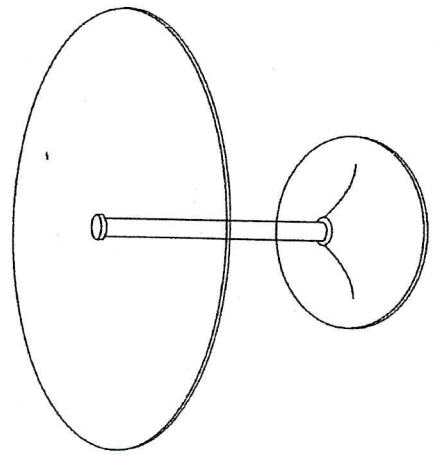
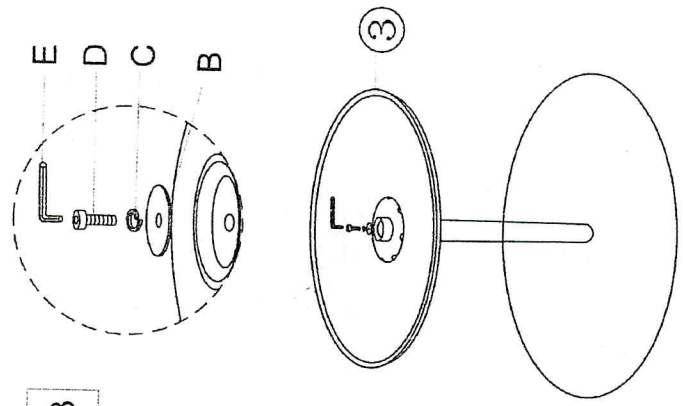
STEP 1











STEP 2



STEP 3



 ① X1	 ② X1	 ③ X1	 Ax1
 Bx1	 Cx1	 Dx1	 Ex1